



The Gazette of Meghalaya
EXTRAORDINARY
PUBLISHED BY AUTHORITY

No. 226

Shillong, Wednesday, December 11, 2024

20th Agrahayana, 1946 (S. E.)

PART-IIA

GOVERNMENT OF MEGHALAYA
DISTRICT COUNCIL AFFAIRS DEPARTMENT


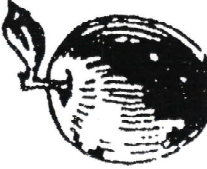




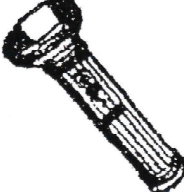

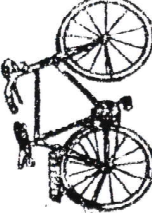
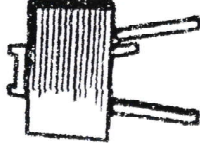

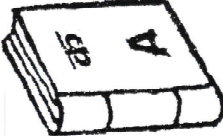
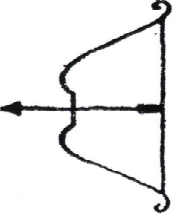
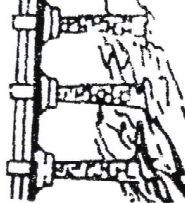

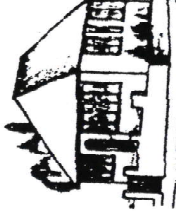
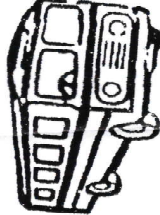

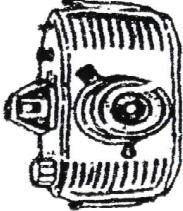
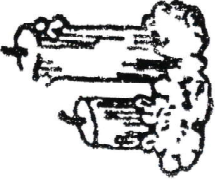

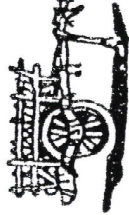

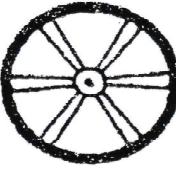
NOTIFICATION

The 11th December, 2024.

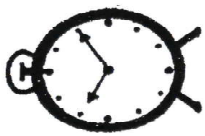
No.DCA.59/2024/41. - In exercise of the powers conferred under Rule 4 *read* with sub-rule (6) of rule 133 of the Assam and Meghalaya Autonomous Districts (Constitution of the District Councils) Rules, 1951, as amended, the Governor of Meghalaya, is pleased to add and include the symbol of 'Winnower & Broom' at Sl. 83 & 84 of the 'Schedule' (Appendix-VII) notified *vide* this Department No.DCA.52/98/306, dated 31st January, 2019.

C. V. D. DIENGDOH,
Secretary to the Government of Meghalaya,
District Council Affairs Department.

List of Symbols as contained in Appendix VII of the Notification. No. DCA.52/98/151 dt 4-09-2015.

- | | | | | | | | | | | | |
|---|------------------|---|-------------|---|------------|--|--------------------|---|-----------|---|------------------|
|  | 1. Aeroplane |  | 2. Apple |  | 3. Arrow |  | 4. Axe with handle |  | 5. Banana |  | 6. Basket |
|  | 7. Battery Torch |  | 8. Bell |  | 9. Bicycle |  | 10. Black Board |  | 11. Boat |  | 12. Book |
|  | 13. Bow & Arrow |  | 14. Bridge |  | 15. Bull |  | 16. Bungalow |  | 17. Bus |  | 18. Calf and Cow |
|  | 19. Camera |  | 20. Candles |  | 21. Car |  | 22. Cart |  | 23. Chair |  | 24. Chakra |

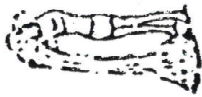
List of symbols as contained in Appendix VII of the Notification. No. DCA.52/98/151 dt 4-09-2015.



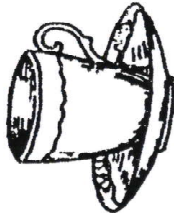
25. Clock



26. Cricket Bat



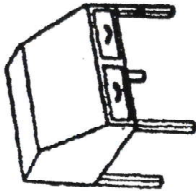
27. Cultivator
winnowing grain



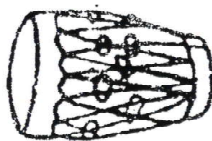
28. Cup & Saucer



29. Daag



30. Desk



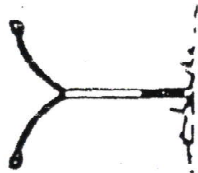
31. Drum



32. Ears of Corn and
Sickle



33. Electric Bulb



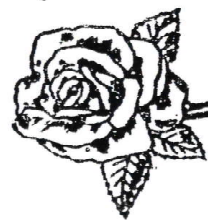
34. Electric Pole



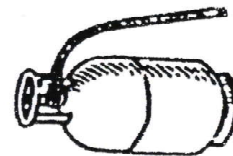
35. Elephant



36. Flaming Torch



37. Flower



38. Gas Cylinder



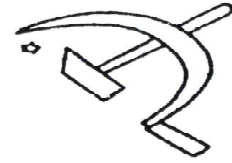
39. Gas Stove



40. Guitar



41. Haldhar Within Wheel
(Chakra Haldhar)

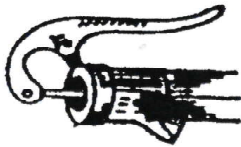


42. Hammer Sickle and
Star

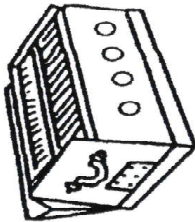
List of symbols as contained in Appendix VII of the Notification. No. DCA.52/98/151 dt 4-09-2015.



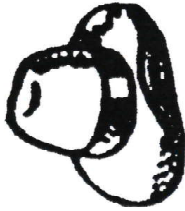
43. Hand



44. Hand Pump



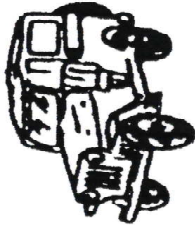
45. Harmonium



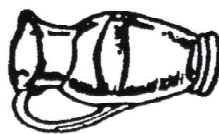
46. Hat



47. Hurricane Lamp



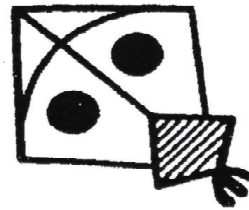
48. Jeep



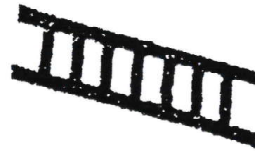
49. Jug



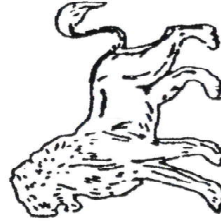
50. Kettle



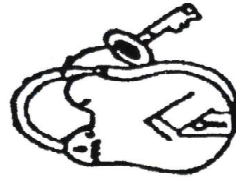
51. Kite



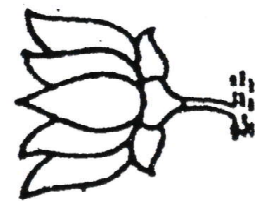
52. Ladder



53. Lion



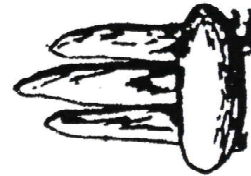
54. Lock and Key



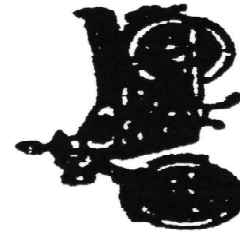
55. Lotus



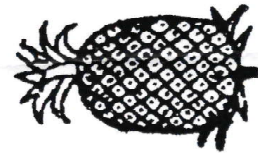
56. Maize



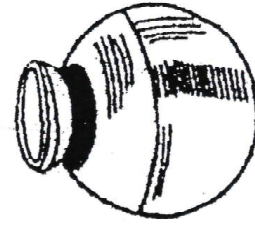
57. Monoliths



58. Motor Cycle

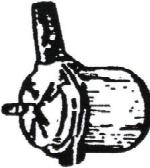

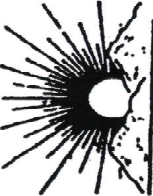

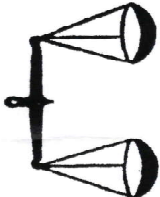





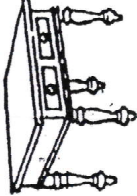


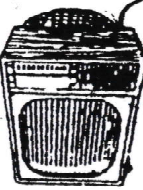

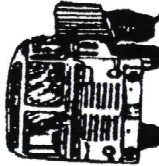

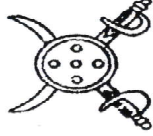

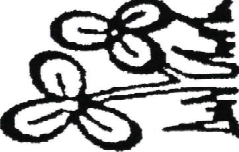
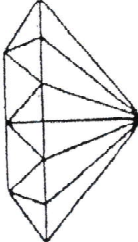




59. Pineapple



60. Pot

List of Symbols as contained in Appendix VII of the Notification. No. DCA.52/98/151 dated 4-09-2015, & added vide Notification No. DCA 52/98/303 dated 18.7.2019 and No.DCA.52/98/306, dated 31.01.2019 as amended and added vide Notification No.DCA.59/2024/44, dated 5.12.2024 as amended.

	61. Pressure Cooker		62. Railway Engine		63. Rising Sun		64. Saw		65. Scales		66. Scissors
	67. School Bag		68. Sewing Machine		69. Spade		70. Sparrow		71. Table		72. Table Lamp
	73. Telephone		74. Television		75. Tree		76. Truck		77. Two Leaves		78. Two Swords & a Shield
	79. Umbrella		81. Flower & Grass		82. Diamond		83. Winnower		84. Broom		